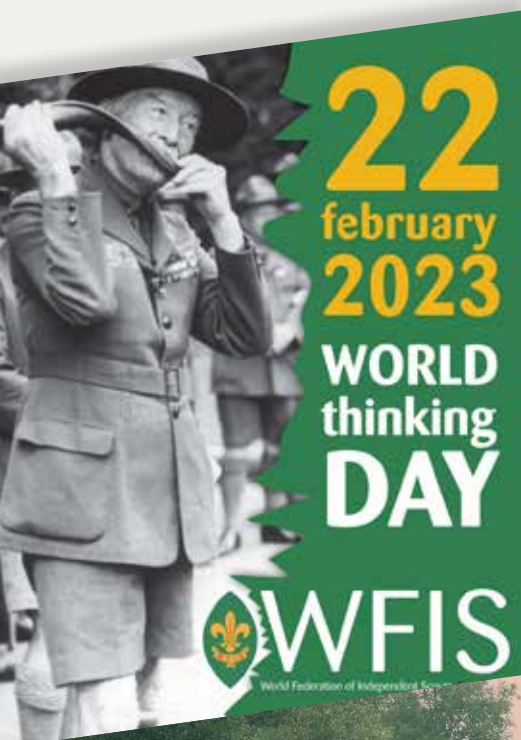




# EURO LETTER

Internal memo of the  
WFIS Europe



# EURO LETTER

#01-2023



The articles  
for the Euroletter  
can be sent to:

[third@wfis-europe.org](mailto:third@wfis-europe.org)



WORLD FEDERATION  
OF INDEPENDENT  
SCOUTS - EUROPE

WFIS-Europe is a Scout organization for independent scouts. We meet in camps, leadertraining and jamborees. WFIS-Europe was created in 1999 and is an organisation under WFIS World-Wide. Every scout organisation can join WFIS-Europe if they are not member of another world organisation. If you want to know more about WFIS-Europe, please contact one of the members of the committee.

## COMMITTEE

### 1. Chairman

Margon Sørensen  
[first@wfis-europe.org](mailto:first@wfis-europe.org)

### 2. Chairman

Julie Bryceson  
[second@wfis-europe.org](mailto:second@wfis-europe.org)

### 3. Chairman:

Sandra Orebi  
[third@wfis-europe.org](mailto:third@wfis-europe.org)

### Treasurer

Henry Seelig  
[treasurer@wfis-europe.org](mailto:treasurer@wfis-europe.org)

### Secretary

Marco Landsberger  
[secretary@wfis-europe.org](mailto:secretary@wfis-europe.org)



## MEMBERS

### AUSTRIA

- Scouts of Europa

### BELGIUM

- Onafhankelijke Scouts en Gidsen

### CZECH REPUBLIC

- SKAUT - cesky skauting ABS
- Svaz skautu a skautek Ceske Republik
- Skaut S.S.V.

### DENMARK

- Baden-Powell Scouts of Denmark  
(De Gule Spejdere i Danmark)

### FRANCE

- Scouts de Chavagnes

### GERMANY

- Bund Europäischer St. Georgs Pfadfinderinnen und -Pfadfinder
- Bund Unabhängiger Pfadfinder
- CP Dreieich
- Deutscher Pfadfinder Bund e.V. gegr. 1911
- EPSG Baunach
- Europäischer Pfadfinderbund - Georgsritter e.V.
- Freier Pfadfinderbund Asgard
- Freier Pfadfinderbund St.Georg
- Independent Scout Association
- Solmscher Pfadfinderschaft
- Pfadfinderbund Weltenbummler e.V.
- Freie Pfadfinderschaft Kreuzritter
- Christliche Freie Pfadfinderschaft Goldenstedt
- Pfadfinder im Mühlenbecker Land e.V.
- Pollution Police e.V.

### IRELAND

- Baden-Powell Scouts Slyguff
- 2<sup>nd</sup> Cavan Scouts

### ITALY

- Assiscout
- Esploratori e Guide d'Italia
- Federscout
- Sezione Scout di Gela
- Assoraider
- Federazione Italiana di Scouting Raider
- Confederazione Italiana dello Scouting Cristiano
- Baden Powell Scout Italia

### PROSPECTIVE MEMBERS

- Scout Group Margyp, **Spain** - ■ 1st Blackwater Valley Scout Group, **United Kingdom** - ■ Grupo Scout Picos del Osop, **Spain** - ■ Grupo Scout Espinardop, **Spain** - ■ Phoenix Independent Scouts Association, **United Kingdom**

### KOSOVO

- National Scout Center of Kosovo

### LATVIA

- Latvijas Kristigie Skauti

### MALTA

- Baden Powell Scouts of Malta

### ROMANIA

- Asociatia Cercetasilor Traditionali din Romania  
ACT-RO

### PORTUGAL

- UEP - União dos Escoteiros Portugueses

### RUSSIAN FEDERATION

- Russian Union of Scouts

### SPAIN

- Asociacion Scout Independiente De Madrid
- Associació Catalana de Scouts
- Grupo Scout Alpha
- Association Juvenil Grupo Scout Independiente Gilwell
- Federation Scout de la Comunidad Valenciana
- Scout Independientes del Principado de Asturias
- Grupo Scout San Pío X
- Asociación Grupo Scout Alcazaba
- Asociación de Scouts Independientes de Córdoba
- Grupo Scout Hotara

### SWITZERLAND

- Feuerkreis Niklaus von Flüe

### UKRAINE

- Association of scouts "Rozvidnyk"  
(Volyn and Lviv region)

### TURKEY

- Kapif

### TURKISH CYPRUS

- Turkish Republic of Northern Cyprus Girl Scout Association

### UNITED KINGDOM

- Baden-Powell Scouts Association
- Scouts and Guides of Saint Joseph, Fife, Scotland



EURO CAMP WILL BE HELD IN BEXBACH  
IN GERMANY FROM 29 JULY TO 5 AUGUST 2023

Registration form is available on [www.wfis-eurocamp.org/](http://www.wfis-eurocamp.org/) and [www.wfis-europe.org/](http://www.wfis-europe.org/)

Wonderful games, exciting adventures and emotions, beautiful landscapes and friends for life. Vivid memories remained in our hearts of happy past experiences.

After many moons in which we have been forced to separate, hoping for better times, unable to enjoy time together around the fire under the blanket of stars in the moonlight, at last by endurance we have conquered.

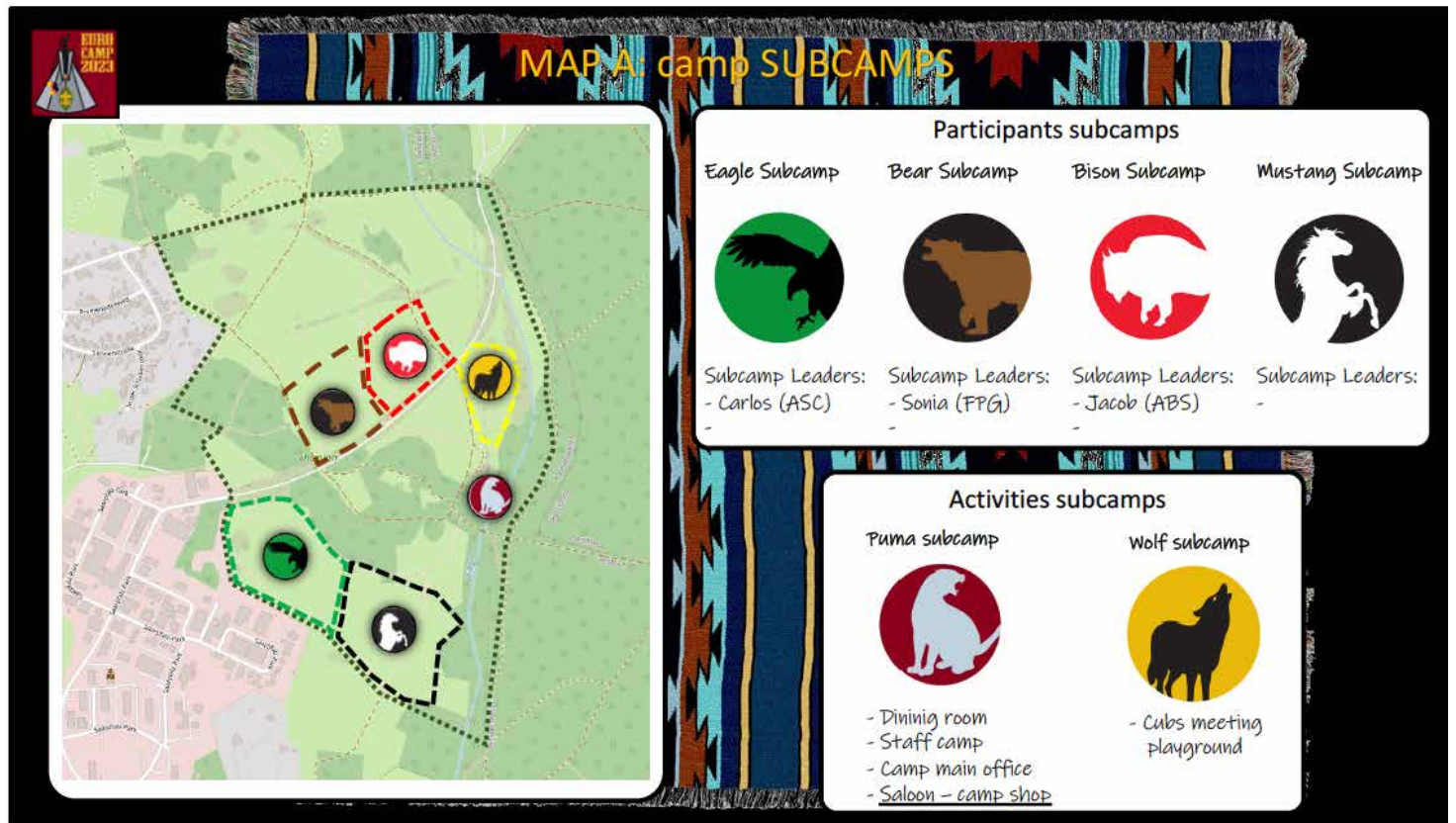
**Now we are finally back again!**



We will at EuroCamp 2023, be gathering at Bexbach-Town in the wild west, main camp theme, as cowboys, native Americans, warriors, hunters, gold prospectors, sachems, pilgrims, and frontiers under the headline 'Different and at heart the same', as an acknowledgement of the scouting values that we all share.



The German town of Bexbach is located in the canton of Saarland, about 160 km southwest of Frankfurt near the border with Luxembourg. To the east of the city that welcomes us is the camp site, a huge open public area surrounded by forests and bordered by a small river. In this slide you can get an idea of the size of the land that hosts a small camp here surrounding the buildings, small houses, which will be the central office of Eurocamp.



■ In order to make a great Eurocamp 2023, there is the need of everybody's help to carry out all the services needed. Send your collaboration to:

**[eurocamp\\_2023@wfis-europe.org](mailto:eurocamp_2023@wfis-europe.org)**



**Don't forget**  
prepare a traditional  
native indian arrow  
(max. Length 65 cm)  
to bring it to Eurocamp.  
They must be presented  
at the Opening Ceremony.  
Just one arrow  
per delegation

## EURO CAMP CONTESTS



**EURO CAMP 2023**

# International Scout Song Festival

*Festival de la Canción Scout*  
*Pfadfinderlieder-Festival*  
*festival de la chanson scout*

**Participation:**  
Individual  
Patrol's  
Groups  
Association

Send in a short Description of the performed Song in English  
**BEFORE 1<sup>st</sup> JUNE'23**

Perform a typical traditional Scout Song from your Country, Area or Association.  
Max. 4 minutes per act.  
Unplugged instruments only.  
No loudspeakers system.

**Camp Song!!**



■ And The song festival, will serve as an exceptional event to get to know the songs prepared by the scout groups. Don't delay in preparing your ideas, for both challenges!.... we encourage you to participate with them so that we can all enjoy.

And even if you don't participate, remember that you can learn the camp song by accessing it through the QR link you see here. Send your song theme description to: [eurocamp\\_2023@wfis-europe.org](mailto:eurocamp_2023@wfis-europe.org)



**EURO CAMP 2023**

# Pioneering Challenge Contest

*For all scouts, senior scouts and rovers in their units or acting together as a team*

The selected winner model must be real size assembled by the submitting team before the Eurocamp'23 opening ceremony on Saturday before lunch

Submit in English the following project documentation  
**BEFORE 1<sup>st</sup> JUNE'23**

**Challenge A:**

Main camp entrance gate  
Max headroom: 4.5 m  
Opening wide: 3 m  
Using less than 50, 2m poles.

- Chosen challenge (A-gate or B-flags)
- List of participants and their affiliation.
- The paper drawing of the door/courtyard with dimensions
- Materials used (rope, # poles, tables, etc...)
- Stages or phases of construction and assembly
- Photographs of a scale model of the submitted design.

**Challenge B:**

Flag courtyard  
Allowing the hosting of 25 flags  
Using with less than 50, 2m poles.

■ The pioneering contest in which patrols, troops, rover communities or groups propose a project for the design and assembly of the camp's main gate or the camp's flag yard, and will end at the beginning of the camp. Send your pioneering projects to: [eurocamp\\_2023@wfis-europe.org](mailto:eurocamp_2023@wfis-europe.org)



## Workshop Denmark 23th-25th September 2022

DENMARK

# WORKSHOP 2022



The 2022 Workshop was held in Denmark in a beautiful area north of Copenhagen at the Arresocentret in Frederiksvaerk, organised by the "De Gule Spejdere i Danmark" Association. There were many workshops, all of which were very interesting and super organised! Also the food was great and at the end everybody left very happy and content.



*Blacksmith*





Wickerwork



Tree Climbing



Spare time with rope

EURO

*Raft Building*



*Pioneering*



*Rope Making*





Fire



Open fire cooking



Leatherwork



## HISTORIEN OM WORKSHOP MÆRKET

I 1984 BLEV KNOPSVANEN VALGT SOM DANMARKS NATIONALFUCL VED EN AFSTEMNING BLANDT SEERNE AF PROGRAMMET 'DUS MED DYRENE' OG DENGANG VAR DER KUN DEN SAMME DANSKE TV-KANAL, SÅ DET VAR EN STOR DEL AF BEFOLKNINGEN DER DELTOG I DEN AFSTEMNING.

MANGE KENDER HC ANDERSENS EVENTYR OM DEN GRIMME ÆLLING, DER IKKE RIGTIGT PASSEDE IND - MEN ALLIGEVEL UDVIKLEDE SIG 'TIL NOGET FINT OG SMUKT.

DET SAMME ÅR BLEV VORES KORPS DE GULE SPEJDERE I DANMARK GRUNDLAGT - AF FOLK SOM IKKE SYNTES, AT DERES IDEER OM TRADITIONELT SPEJDERARBEJDE, PASSEDE HELT IND DER HVOR DE VAR. VORES KORPS HAR NU EKSISTERET I 38 ÅR, OG HAR OGSÅ MED TIDEN VOKSET OG UDVIKLET SIG TIL NOGET GODT, SOM VI KAN VÆRE STOLTE AF.

HÆNDERNE DER HOLDER SPEJDERLILJEN, SYMBOLISERER FÆLLESSKABET OG AT VI PASSER PÅ HINANDEN - OG DEN LILLE TRÆLSE VIRUS HENOVER 2020, GIVER VIST SIG SELV.

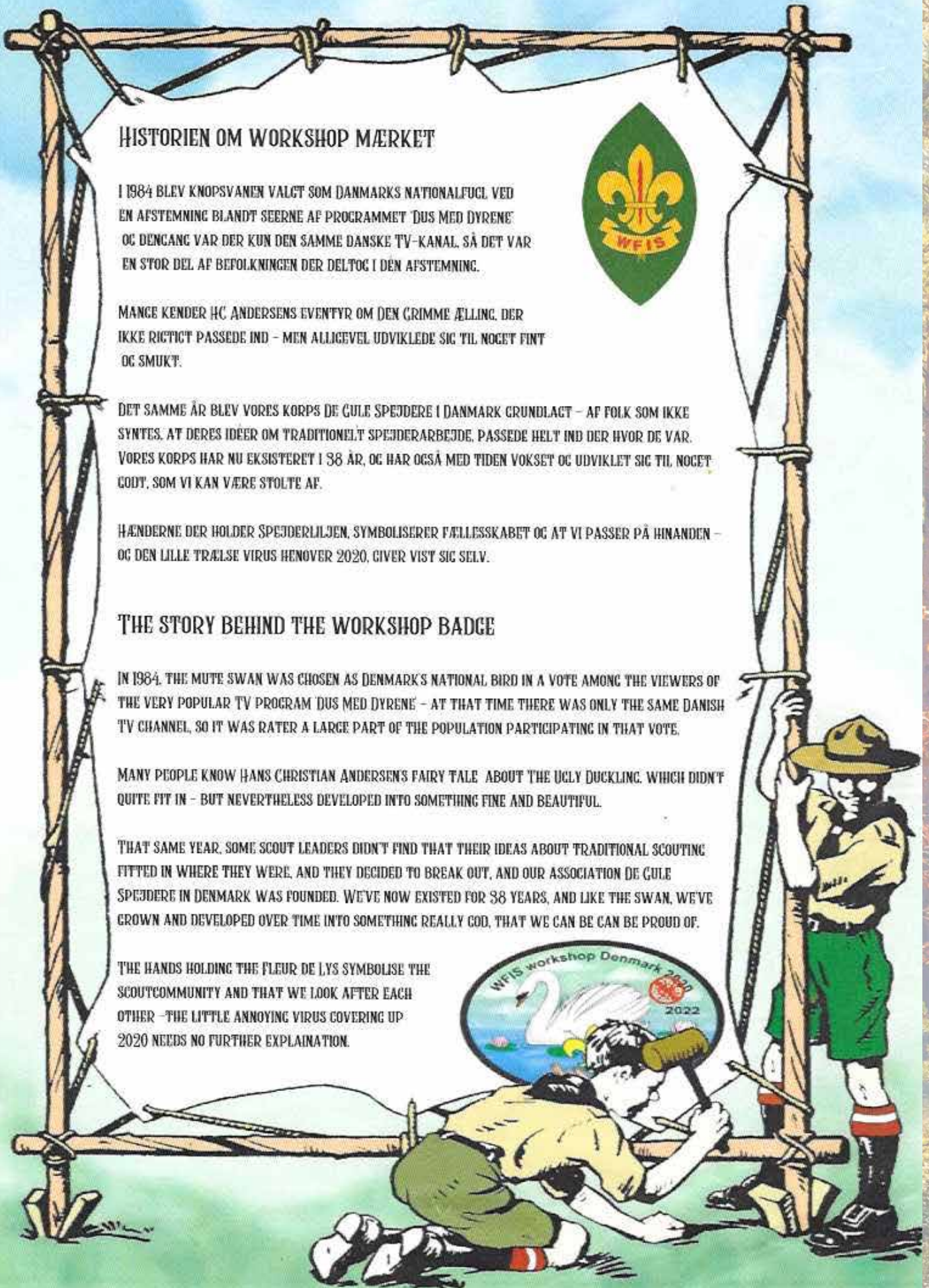
## THE STORY BEHIND THE WORKSHOP BADGE

IN 1984, THE MUTE SWAN WAS CHOSEN AS DENMARK'S NATIONAL BIRD IN A VOTE AMONG THE VIEWERS OF THE VERY POPULAR TV PROGRAM 'DUS MED DYRENE' - AT THAT TIME THERE WAS ONLY THE SAME DANISH TV CHANNEL, SO IT WAS RATER A LARGE PART OF THE POPULATION PARTICIPATING IN THAT VOTE.

MANY PEOPLE KNOW HANS CHRISTIAN ANDERSEN'S FAIRY TALE ABOUT THE UGLY DUCKLING, WHICH DIDN'T QUITE FIT IN - BUT NEVERTHELESS DEVELOPED INTO SOMETHING FINE AND BEAUTIFUL.

THAT SAME YEAR, SOME SCOUT LEADERS DIDN'T FIND THAT THEIR IDEAS ABOUT TRADITIONAL SCOUTING FITTED IN WHERE THEY WERE, AND THEY DECIDED TO BREAK OUT, AND OUR ASSOCIATION DE GULE SPEJDERE IN DENMARK WAS FOUNDED. WE'VE NOW EXISTED FOR 38 YEARS, AND LIKE THE SWAN, WE'VE GROWN AND DEVELOPED OVER TIME INTO SOMETHING REALLY GOOD, THAT WE CAN BE CAN BE PROUD OF.

THE HANDS HOLDING THE FLEUR DE LYS SYMBOLISE THE SCOUTCOMMUNITY AND THAT WE LOOK AFTER EACH OTHER - THE LITTLE ANNOYING VIRUS COVERING UP 2020 NEEDS NO FURTHER EXPLANATION.



ITALY



▼ Raiccardo Alfieri

# WE ARE THE GROUP SYRACUSE 6



**M**y name is Riccardo Alfieri and I am a scout from the Group Syracuse 6 and a Scout of the wolf patrol. In this article I want to talk about us (the Group Syracuse 6), who we are, our history and why we were born.

## WHO WE ARE

We are a scout Group in Syracuse (an Italian city), the only Assorider (Italian association) group in the city and the latest in the association. We were officially born on 28 October 2018. In the Group we have four sections: Cubs, Scouts, Rovers and Raiders (a branch that only exists in our association but for the moment there is no Raider in the Group). We carry out our activities in a borough that is not very friendly, in fact almost

no groups in Syracuse have done scouting there, but our aim is precisely to do scouting in a place that is not very friendly.

## WHY WE WERE BORN

Before us, all the scout groups in Syracuse were AGESCI (Italian catholic association) and besides doing scouting activities they also went to church, this did not allow non-Catholics to do scouting in Syracuse. But 5 years ago, 5 scouters from AGESCI decided that they wanted to allow non-Catholic children to do scouting too, they distributed flyers, asked children of friends to participate in this project, found a borough where scouting wasn't present and where there was a Catholic minority, and on 28 October 2018 our great scouting adventure began.



**ASSORAIDER**

[www.assoraider.it](http://www.assoraider.it)

facebook

assoraider - associazione italiana di  
scautismo raider aps

GERMANY



▼ Klaus P. Karnetzky

# MEDIEVAL SUMMER CAMP ON THE CASTLE LUDWIGSTEIN



**A**s a substitute for the postponed Eurocamp, five German Scout groups met for a medieval camp at a former castle, which had been used for youthwork since for almost 100 years. Participating groups were „Freie Pfadfinderschaft Asgard“, „Bund unabhängiger Pfadfinder“, „Solmscher Pfadfinderschaft“, „Pfadfinder im Mühlenbecker Land“ and the „Stamm Schwäbische Toskana“, part of the „Bund der Pfadfinderinnen und Pfadfinder“ (last one is not member of WFIS).

The programme was composed of traditional Scout working: We hiked to the Hanstein castle, built up a camp gate, some Cubs and Scouts earned badges like first aid and photography, we had our traditional German singing evenings and games with archery, sword fighting, lead-pouring and leather works. We also visited the historic city of Göttingen and an inner German border museum, showing the Cubs, Scouts and Rovers the European history before 1990. As a highlight we had a magnificent spectacle evening, where every group presented a made-up play and a song.

The last evening was fulfilled with a “Thing”, which included investigations, granting of proficiency badges, Scout name baptizing, stories and songs.

Of course, the most important was to meet old friends again and create new friendships. For a lot of younger participants, it was the first camp with more than their own group and we really enjoyed it. Way too fast the week was over, and we had to say good bye. But we are all looking forward to the next camp. So, see you at the Eurocamp!



CZECH REPUBLIC



▼ Tom – leader of scout's group Lesní Moudrost (,WoodCraft') Brno

# REMEMBRANCE OF VELEN FANDERLIK AND J. K. – BABY

## Traditional event of scout's group Lesní Moudrost (,WoodCraft') Brno, Skaut ABS - 11 February 2023

**O**n the day of brother Velen Fanderlik's birthday, as every year, we gathered at his memorial plaque on Šilinger Square in Brno. Velen Fanderlik was born on February 11, 1907 in Prague. His surname probably comes from the Dutch Van der Lijk. He grew up in Brno and joined the scouts troop at the age of twelve together with his brother Milota. He graduated from law school and opened his own law office. During the 2nd world war he fled from the Nazis to Great Britain, where he worked as an artillery and education officer. After the war, as one of the military prosecutors, he interrogated, for example, K. H. Frank and Hermann Göring. In 1946 he was elected ,mayor of Junák'. Two years later, due to the communist regime, he emigrated with his wife, first

to Germany, then to Canada. The regime labeled him as spiritual leader of the anti-state activities. He was demoted to private and the property he left behind in the Czechoslovakia was forfeited to the state. The Communist court sentenced him to death in absentia. ,State security police' searched for him for many years, but finally gave up. Until his death in 1985, he served as mayor of the Czechoslovak exile scouts and published the magazine called ,Stopa' (Footprint). He made his living as a painter and graphic artist, lectured in sociology and art history, and contributed to Radio Free Europe. After the velvet revolution in 1989, he was rehabilitated, promoted In Memoriam to Colonel, and in 2025 was declared an honorary citizen of Brno.



SKAUT – CESKY SKAUTING ABS  
<http://abs2013.skautabs.cz/>



Then we remembered brother Jiří Kratochvíl – Baby, Velen's contemporary in his scout patrol. He joined the troop in 1927 and soon became one of the leading figures of the Czech Scout movement. After graduating from high school, he studied philosophy and pedagogy at Masaryk University in Brno. He studied at the officer's school in Brno, served in the army and after the occupation in March 1939 briefly worked as an



scout books and the magazine called 'Czechoslovak exile scout'. After the velvet revolution in 1989, he began visiting Czechoslovakia again. He died on 11 May 2001 in a hospital in Stuttgart and is buried in the Central Cemetery in Brno.

After this commemorative event, we made Trench Candles in our scout's group clubhouse. Trench candles are tins filled with corrugated cardboard and sealed with hot paraffin. From the smallest brownies and wolf cubs to the oldscouts participated in this handicraft activity. These candles will be transported to Ukraine as aid for the population and the army, where they are used to heat trenches and destroyed buildings, or to heat food.

intelligence officer for a Czechoslovak military unit in the Soviet Union. After the conclusion of the German-Soviet Pact, he returned to the republic. During the occupation, he carried out resistance activities and was a connecting person between the partisans and the resistance. After the liberation in 1945, he started teaching again at a nine-year school in Merhautova Street in Brno. In 1949, he received a doctoral degree from Masaryk University in Brno, but the following year he was banned from teaching because of his strong Catholic and Scout orientation. In 1951, he emigrated to Austria, where he enlisted in the U.S. military headquarters in Vienna and served as an intelligence officer for the U.S. Army for three years. In 1954, he began lecturing at the Ukrainian Free University in Munich, and served as dean in 1975. He became Minister of Education in the government-in-exile and was instrumental in establishing the Czechoslovak Distance School in exile. He also participated in exile scouting - in Germany and Norway he organized summer scout camps for children of exiles from all over the world. He led Czech exile scouts in Europe, and after Velen Fanderlik's death in 1985, he became the chief of all Czech exile scouts. He also published





## A FEW PICTURES FROM THE GENERAL ASSEMBLY 2023

On 28 January 2023, the annual European General Assembly took place in Hechtel-Eksel, Belgium, very well organised by Onafhankelijke Scouts en Gidsen.

The event took place in a beautiful site. Three new Association have been voted as Prospective Members, the Steering Committee welcomes them. In the next pages are some pictures taken during the event.







# AND THE WINNER IS...

The 38th scout troop of "St. Francis" Moravska Trebova,  
from the association: Svaz skautu a skautek ČR in the Czech Republic  
**Congratulations!!!!**



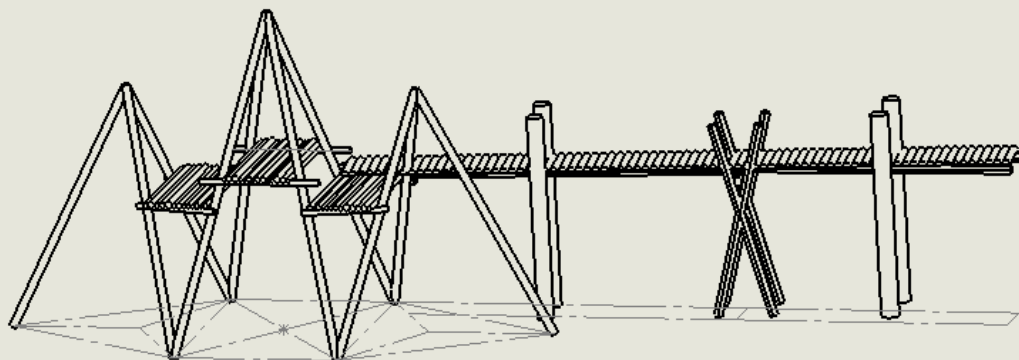
## CAMP GATE

### Material calculation

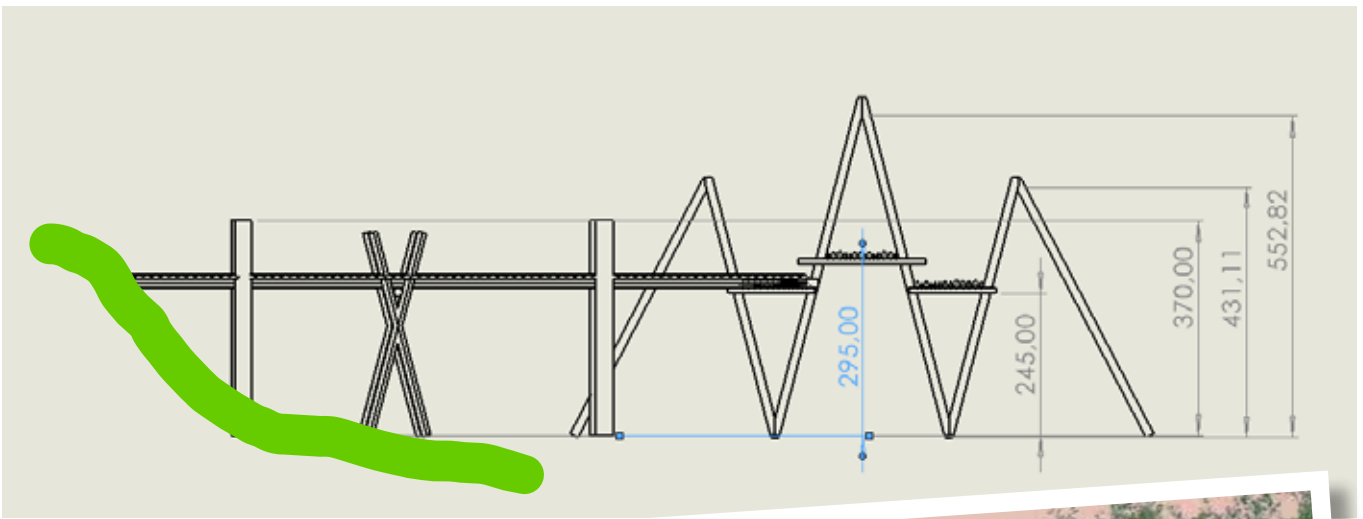
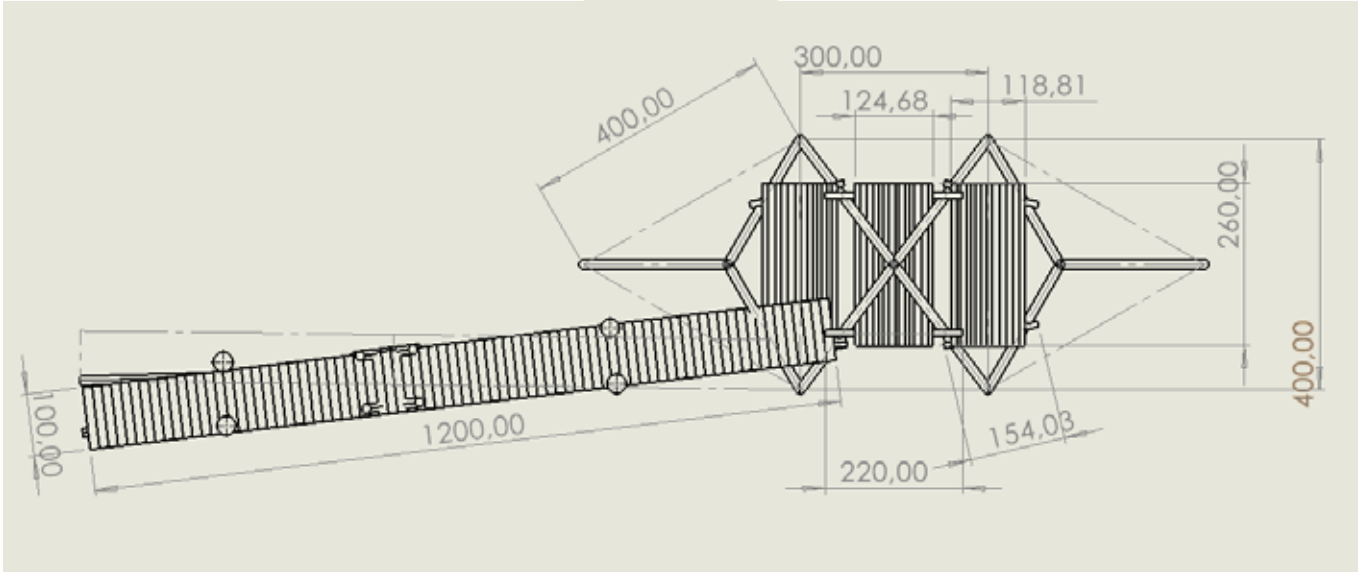
Wood (d= 10-20 cm) .....	30 trees
Nails (L=7 cm) .....	200 pc
Screws (L= 20 cm) .....	20 pc
Screws (L= 25 cm) .....	30 pc
Rope (d= 5 mm) .....	100m
Rope (d=15 mm) ...	20m

### Description

The base is made up of 3 pyramids representing an Indian teepee, facing east. The size of the gate is sufficient for the passage of cars and smaller vans. The main pyramid also has a second floor, which



# EURO LETTER







# PIONET... 2023

## ► It's for all European Patrols

- **2 phases** in which the Patrols will be evaluated
- the Patrols will have to work very hard to win!

Let's start with the name...why PIONET...?  
It is the union of two words:

**PIONEERING** (we won't even explain it, because if you don't know what it means ... your Patrol will not even be last !!) and

**NET**..., as network, it is meant in the sense of connection between several people, in fact, the activity of a Patrol is the sum of the work of its Scouts!

**PIONET... is a pioneering competition for Patrols, with complex and elaborate pioneering constructions, with an adequate design, a perfect technical realization and an equally important presentation of the construction.**

The final result will be the sum of the work of the Patrols, so the report will have to show in particular the contribution that each Scout has given.

## **THE ACTIVITY SHOULD BE DEVIDED INTO TWO PHASES:**

**1 First phase:** each Patrol must do a complete design of the structure and calculation of the materials and a report in English must be submitted,

as detailed as possible, by **July 31, 2023**. The report must include the name, a photo and the role of each Scout in the Patrol.

All reports must be sent by email to:  
**pionet@wfis-europe.org**

**2 Second phase:** realization and consequently, submission of a detailed report with photographs by **December 31, 2023**. All reports must be sent by email to:  
**pionet@wfis-europe.org**

The works will be evaluated by "professionals". The sum of the votes of each individual phase will provide the final classification.

There will be three prizes for the first three classified Patrols.

Each Scout that participated will receive a badge and each Patrol a participation certificate.

## **HOW TO PARTICIPATE:**

An e-mail must be sent to:

**pionet@wfis-europe.org**

that says: "We are the XXX Patrol (and the name of the Association and Nation) and we want to participate at PIONET...!!!!"

Good pioneering to everyone !!!!!

Soon, there will be a special Euroletter number on which there will be listed all the Handicraft 2022 winners

EURO  
LETTER



# HANDICRAFT 2023

- > **It's a project for everybody!**
- > **each work will be carefully evaluated considering the age of each participant**

This project can be done by anybody, from the youngest Beaver to the oldest Rover.

It is very simple, all it is to be done is a homemade handicraft, it could be a drawing, a pioneer model built in scale, or sew a leather sheath for the axe, or anything that is Scouting and that can be done at home during the long lockdown days/months.

There will be a winner and each participant will receive a participation certificate.

## **THE ACTIVITY WILL HAVE ONLY ONE PHASE:**

Each participant must send by **October 31, 2023** a maximum of 4 photos of his/her handicraft by e-mail to **[handcraft@wfis-europe.org](mailto:handcraft@wfis-europe.org)** indicating: name, surname, association, group and, most important of all, the age!

Each participant may participate with only one handicraft.

So... start working! The judges are already waiting to see all your wonderful works!